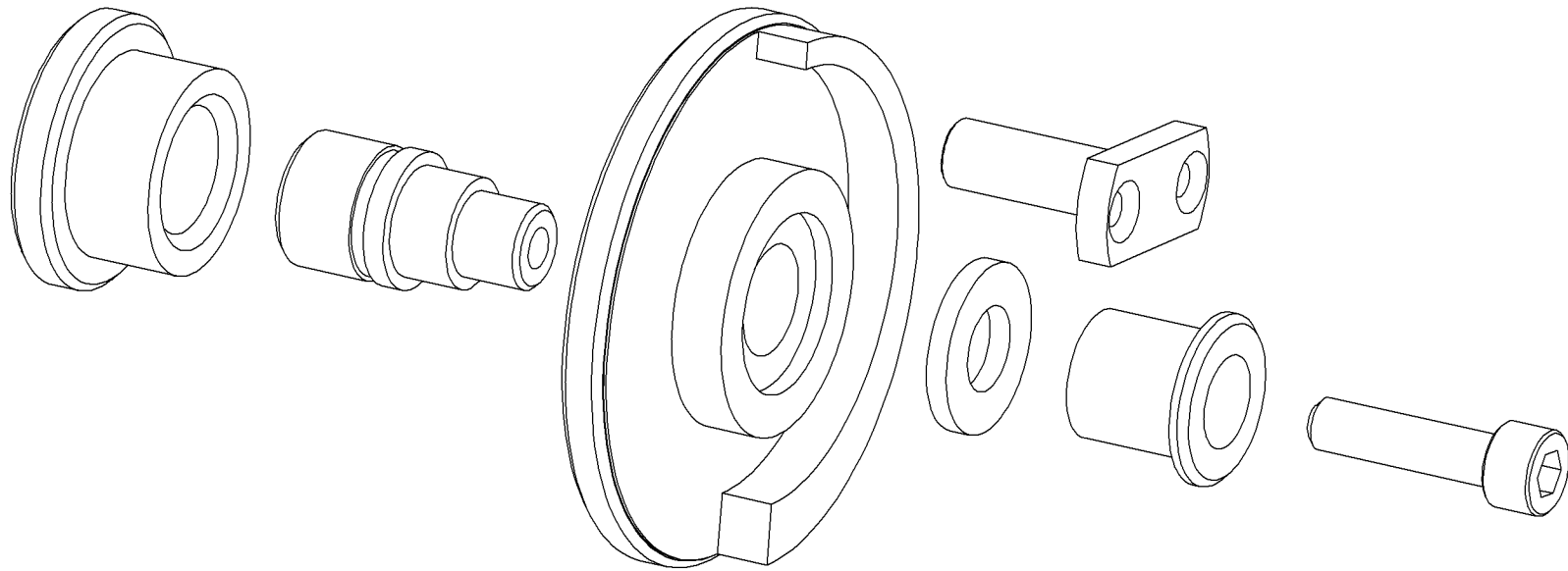


Bareback Rotary Latch

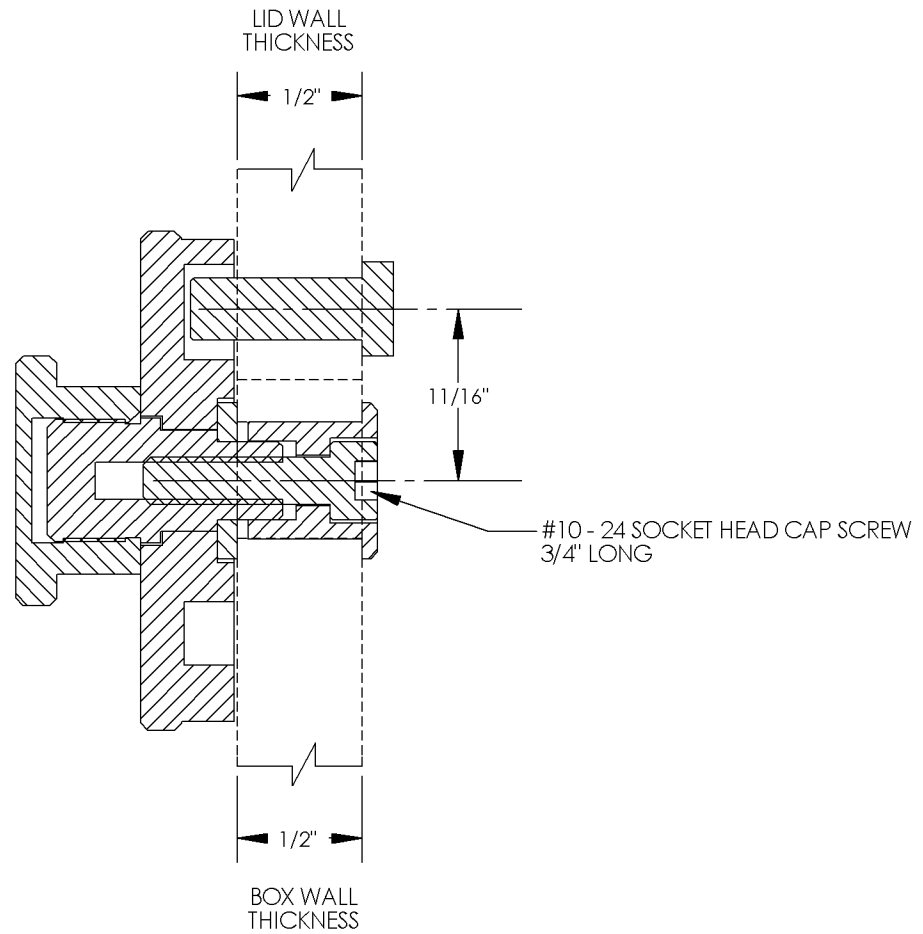
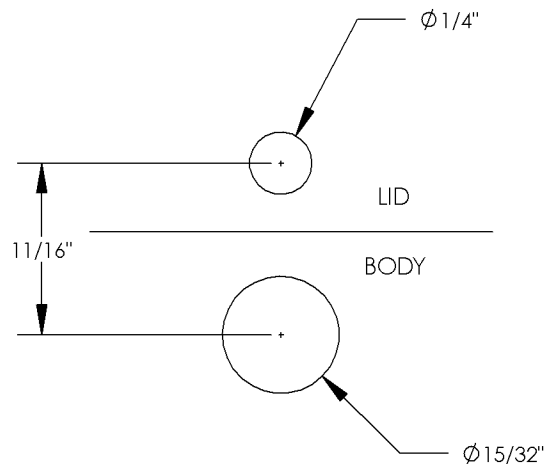


Copyright Damien Gendron
www.gendrontec.com
designs@gendrontec.com

DISCLAIMER

This document is intended to be used for informational purposes only and does not constitute professional advice. The information contained in this document and the associated drawings, is provided 'as is' without warranty of any kind. The entire risk as to the results and the performance of the information is assumed by the user and in no event shall the Author or Gendron Technologies be liable for any consequential, incidental or direct damages suffered in the course of using this information. Furthermore, it is the reader's responsibility to understand and use safe working practices and procedures at all times. If you are unfamiliar with a particular tool or procedure, refrain from using it until you receive proper instruction. Reference to commercial products or trade names is made with the understanding that no discrimination is intended and no endorsement is implied.

NOTE:
 DRILL THESE HOLES AS ACCURATELY AS POSSIBLE



DIMENSIONS ARE IN INCHES
 TOLERANCES (unless specified):
 FRACTIONAL: $\pm 1/64$
 TWO PLACE DECIMAL: ± 0.010
 THREE PLACE DECIMAL: ± 0.005
 ANGULAR: ± 1 deg

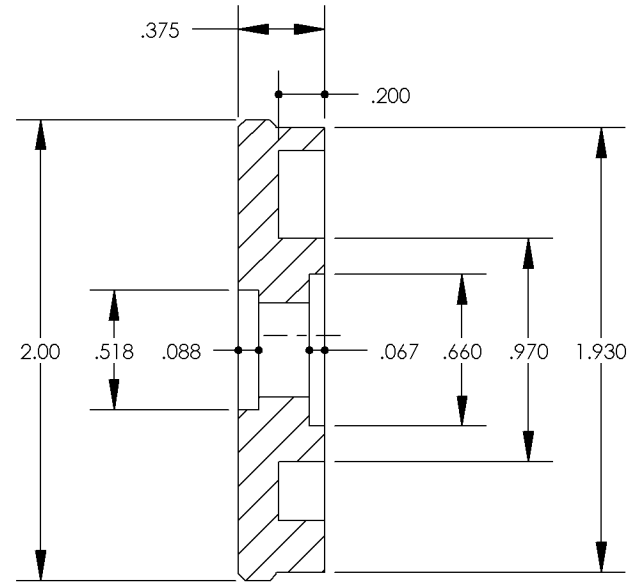
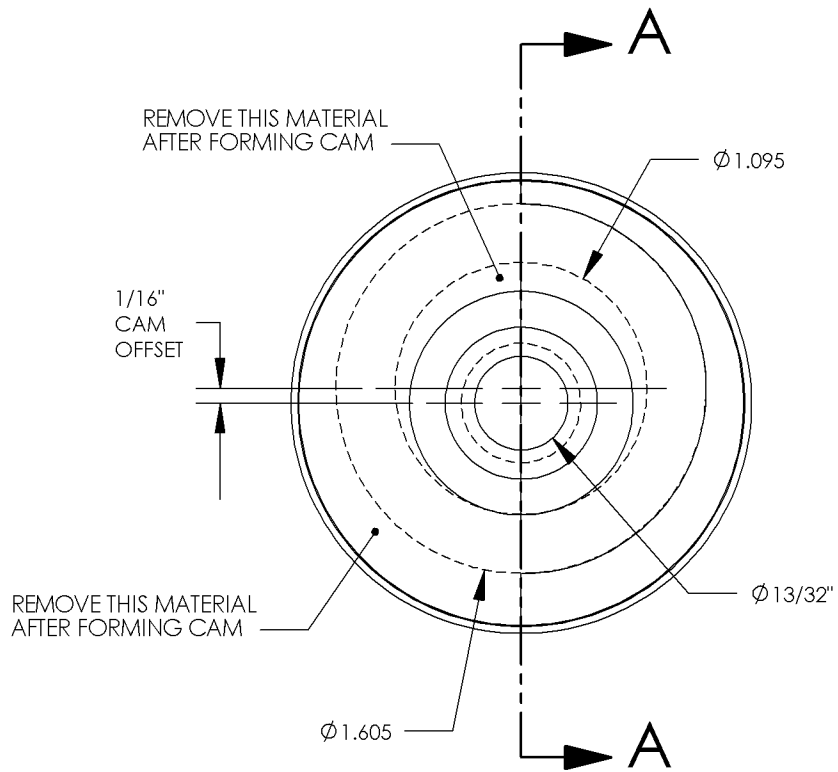
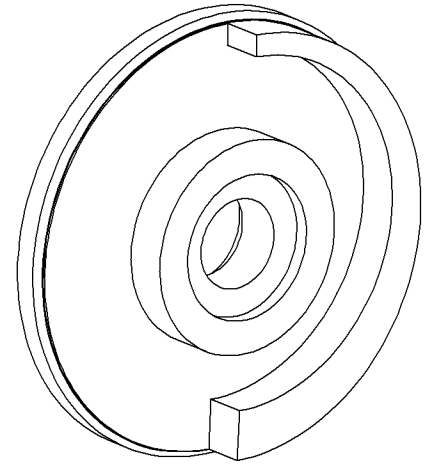
Comments:

Designed by: Damien Gendron

Copyright Damien Gendron - Feb/2005

Bareback Rotary Latch

DWG #



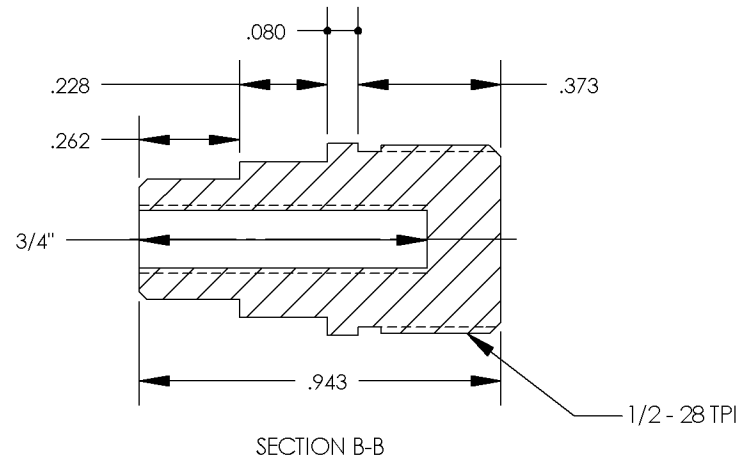
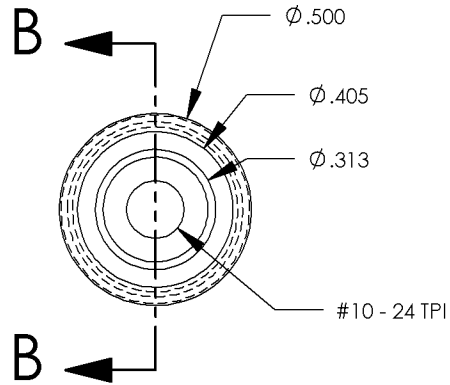
SECTION A-A

DIMENSIONS ARE IN INCHES
 TOLERANCES (unless specified):
 FRACTIONAL: $\pm 1/64$
 TWO PLACE DECIMAL: $\pm .010$
 THREE PLACE DECIMAL: $\pm .005$
 ANGULAR: ± 1 deg

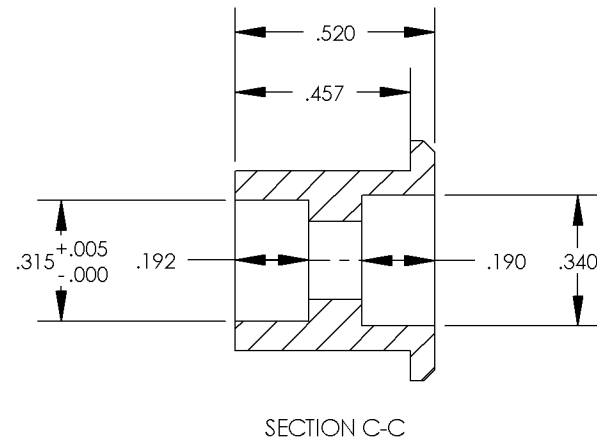
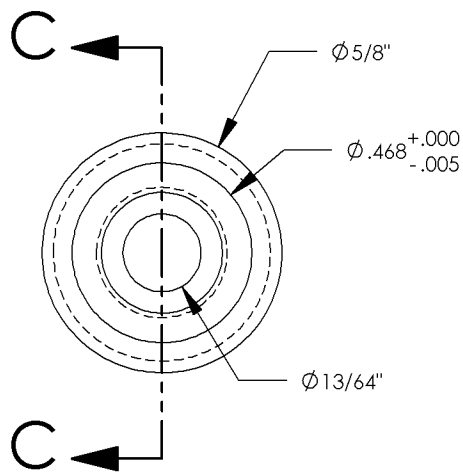
Comments:
 Designed by: Damien Gendron
 Copyright Damien Gendron - Feb/2005

<h2>Bareback Rotary Latch</h2>	
DWG #	PAGE 3 OF 5

AXLE



AXLE RETAINER



DIMENSIONS ARE IN INCHES
 TOLERANCES (unless specified):
 FRACTIONAL: $\pm 1/64$
 TWO PLACE DECIMAL: $\pm .010$
 THREE PLACE DECIMAL: $\pm .005$
 ANGULAR: ± 1 deg

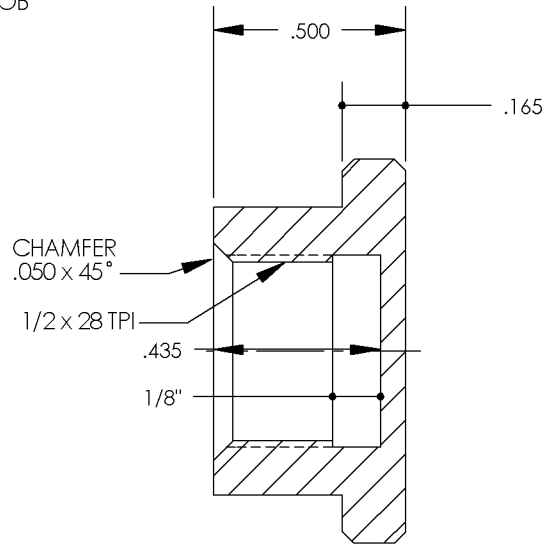
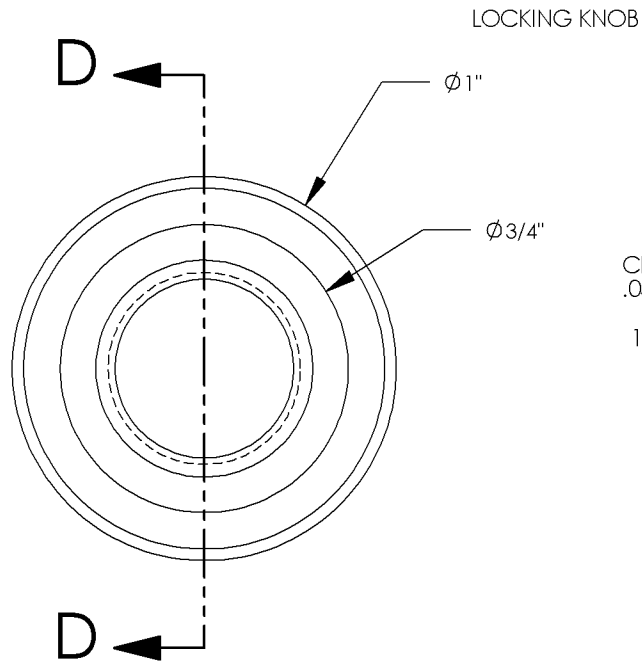
Comments:

Designed by: Damien Gendron

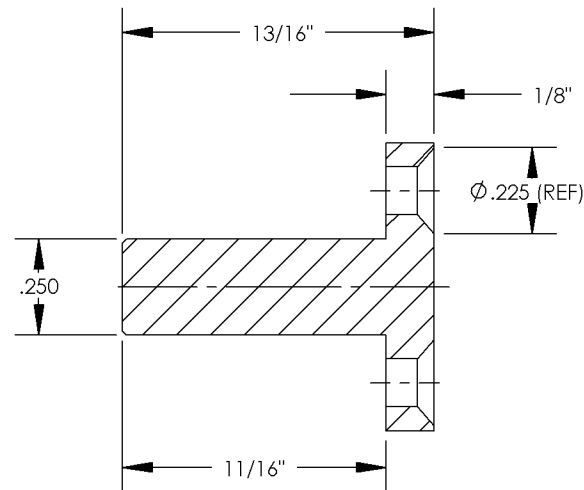
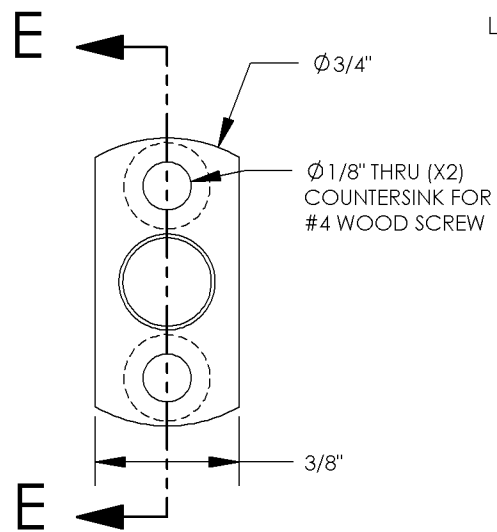
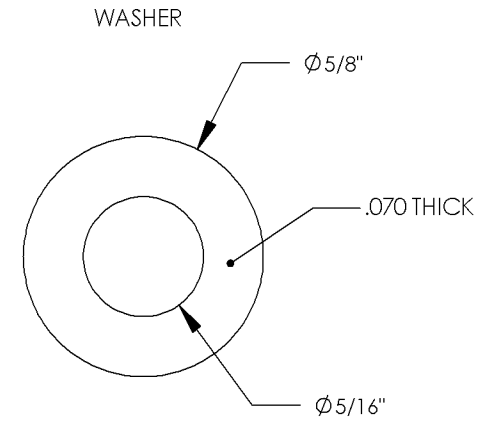
Copyright Damien Gendron - Feb/2005

Bareback
 Rotary Latch

DWG #



SECTION D-D



SECTION E-E

DIMENSIONS ARE IN INCHES
TOLERANCES (unless specified):
FRACTIONAL: ±1/64
TWO PLACE DECIMAL: ±.010
THREE PLACE DECIMAL: ±.005
ANGULAR: ±1 deg

Comments:
Designed by: Damien Gendron
Copyright Damien Gendron - Feb/2005

Bareback
Rotary Latch

DWG #

PAGE 5 OF 5